

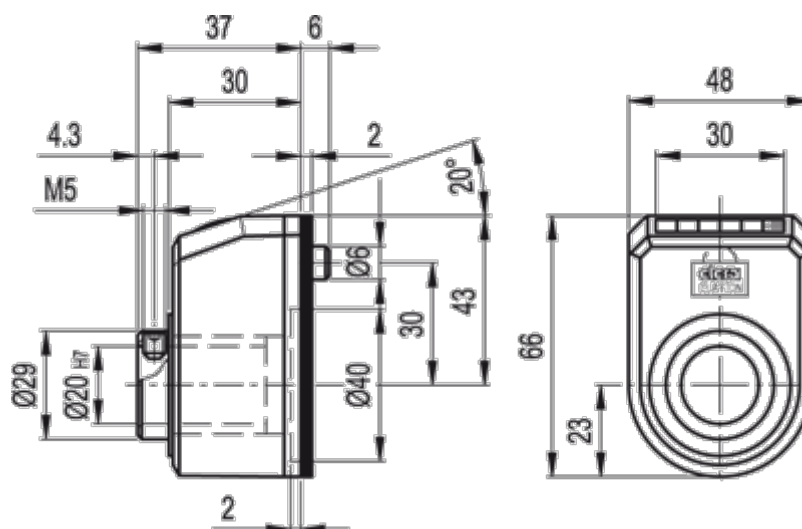
Data Sheet



Article number: 2307083263

Description: E+G Direct drive position indicator
DD52R-FN-0006.0-D-C3 (Grey)

Measures



Max rpm = 415